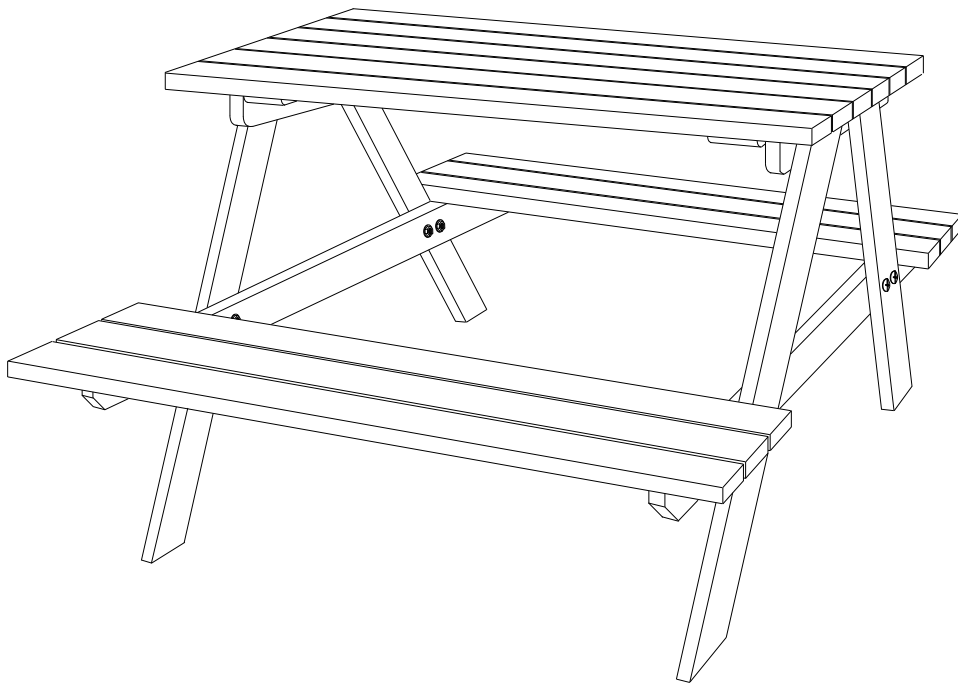
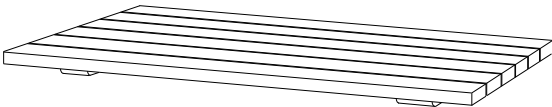
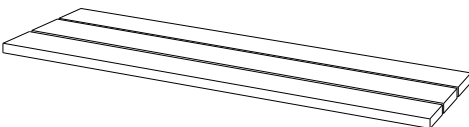
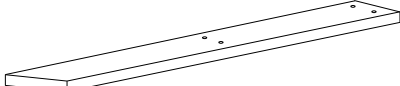
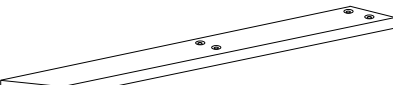
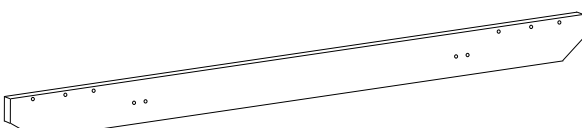
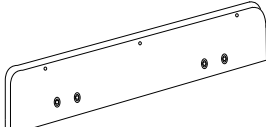
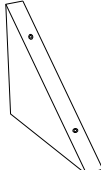

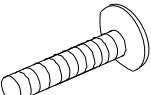
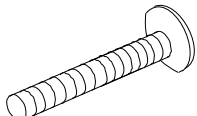
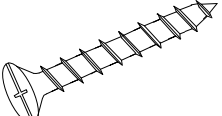


JO-ANN STORES INC



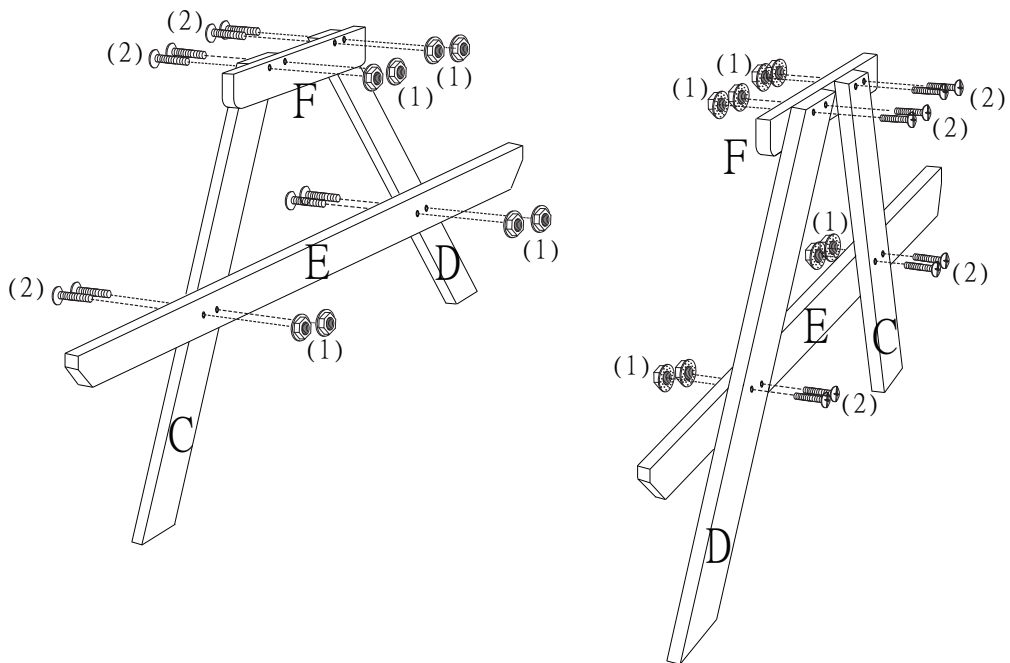
Article 193-4298
Child KD Picnic Table
With Design

CUSTOMER SERVICE NUMBER:1-888-857-3862
www.goodsupport.com

<p>A Table top</p>  <p>1 PCS</p>	<p>B Seat top</p>  <p>2 PCS</p>	
<p>C Legs</p>  <p>2 PCS</p>	<p>D Legs</p>  <p>2 PCS</p>	
<p>E Connection bar</p>  <p>2 PCS</p>		<p>F Connection bar</p>  <p>2 PCS</p>
<p>G Support bar</p>  <p>4 PCS</p>	<p>(1) Nuts</p>  <p>24 PCS</p>	<p>(2) Screws</p>  <p>16 PCS</p>
<p>(3) Screws</p>  <p>8 PCS</p>	<p>(4) Screws</p>  <p>14 PCS</p>	

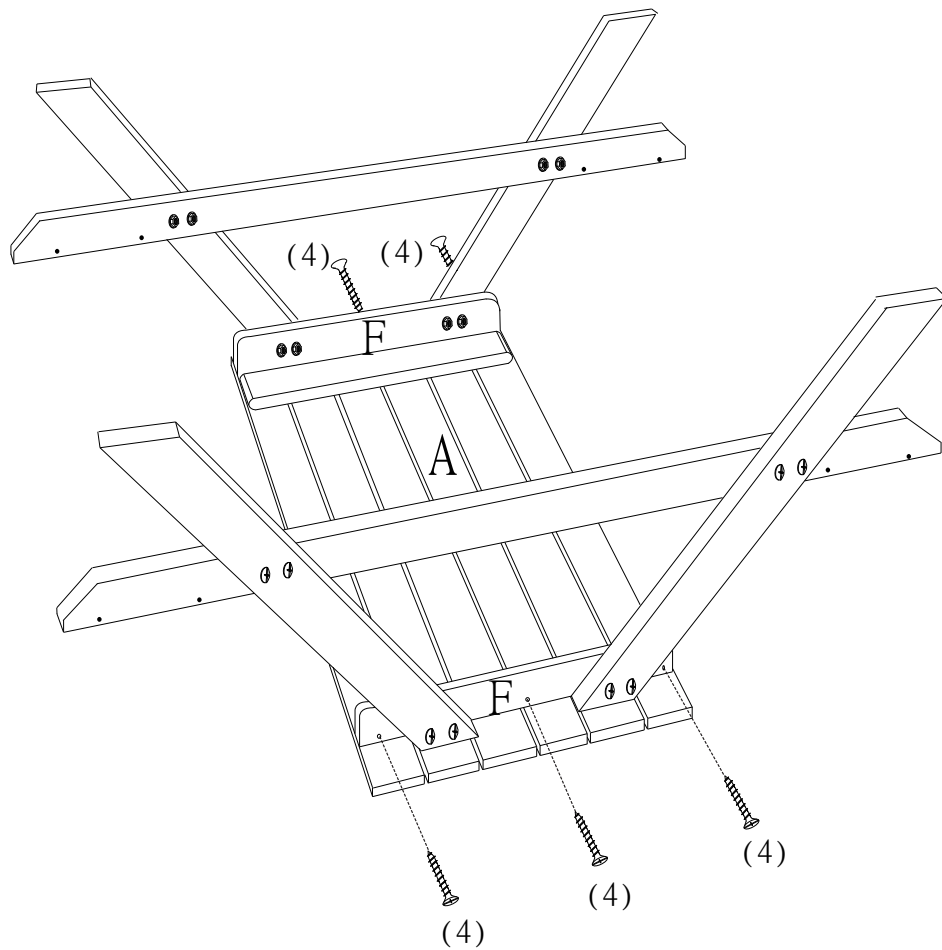
STEP 1

Attach connection bar (E) and (F) to legs (C) and (D) using screws (2) and nuts (1) as shown.



STEP 2

Attach finished legs to table top (A) using screws (4) as shown.



STEP 3

1. Attach support bar (G) to connection bar (F) and table top (A) using screws (4) as shown.
2. Attach seat top (B) to connection bar (E) using screws (3) and nuts (1) as shown.

